

# Safety Relief Valve RMG 832



## PRODUCT INFORMATION

**Serving the Gas Industry  
Worldwide**

## Safety Relief Valve RMG 832

Application, characteristics, technical data

### Application

- as a safety relief valve for gas leakages
- as a main safety device
- for stations in municipal gas distribution and industrial supply systems
- suitable for natural gas and all non-corrosive gases

### Characteristics

- simple, compact design
- can be mounted in any position
- safe operation
- high response accuracy
- integrated vent line for application as a safety relief valve for gas leakages

TECHNICAL DATA					
max. service pressure $p_{max}$	100 bar				
adjusting ranges ( $W_h$ ) and response pressure categories /AG	adjusting range $W_h$ (bar)	setpoint spring			AG
		no.	colour	wire-dia (mm)	(%)
	0,50 ... 2,00	1	grey	5,0	5 / 2,5
	1,00 ... 4,00	2	yellow	5,6	2,5 / 1
	2,00 ... 8,00	3	brown	6,3	2,5 / 1
	4,00 ... 16,0 12,0 ... 30,0	4 5	red green	7,0 8,0	2,5 / 1 2,5 / 1
valve seat diameter	8 mm				
flow rate coefficient $K_G$	32 m <sup>3</sup> /h				
connections	screw connections without brazing to DIN 2353, PN 100 for outside pipe diameter inlet: 12 mm          outlet: 20 mm				
vent for spring housing - as relief valve for gas leakages: - as main safety device:	internal venting via discharge line separate vent-line connection, outside pipe diameter 12 mm				
materials	valve body spring housing measuring diaphragm valve sealing	aluminium wrought alloy aluminium wrought alloy synthetic rubber (NBR) synthetic rubber (FPM)			
ambient temperature range	3 kg				
function and strength	-15°C to +60°C				
function and strength	acc. to DIN 3381				
DIN-DVGW registration no.	NG-4305AT0046				

## Safety Relief Valve RMG 832

### Design and operation

This safety relief valve (SBV) was designed to automatically relieve a gas stream from a pressure bearing line, as soon as the pressure prevailing in the system to be protected rises up to the pre-set response pressure limit. The SBV will close again, after this pressure will have fallen below the closing pressure limit.

The RMG 832 is a spring-loaded, direct acting safety relief valve (without auxiliary energy from the inlet pressure). The valve is available in two versions: as a relief valve (SBV) for gas leakages, and as a main safety device. If it is used as a relief valve for gas leakages, provision is made for internal venting of the spring housing. If the valve is used as a main safety device, its spring housing is provided with a connecting piece for a separate external vent line.

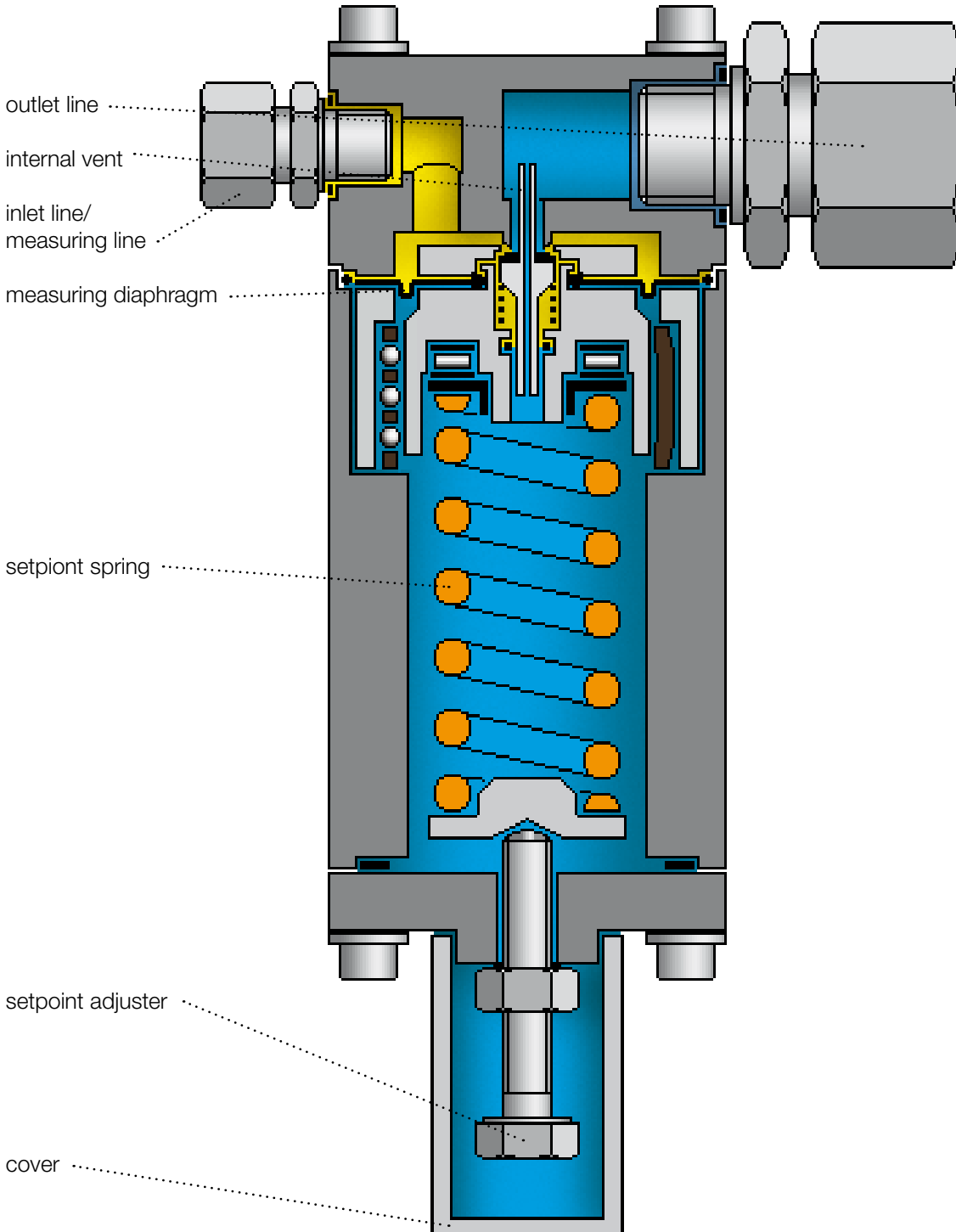
The pressure to be monitored is conveyed to the measuring diaphragm through the inlet connection and compared to the force given by the pre-adjusted setpoint spring. If the pressure within the system to be protected rises above the pre-set response pressure, the valve opens and allows the gas to escape through the outlet line. The relief valve will close automatically, as soon as the pressure prevailing in the system to be protected will have fallen below the response pressure level.

The piston of the control element is relieved and balanced by a pressure spring protecting the valve sealing from stress and premature wear. The measuring diaphragm is designed as a preformed diaphragm which guarantees a high response accuracy, even if the valve is exposed to low ambient temperatures. The setpoint spring is guided by a metal sleeve bearing to absorb its lateral forces.

## Safety Relief Valve RMG 832

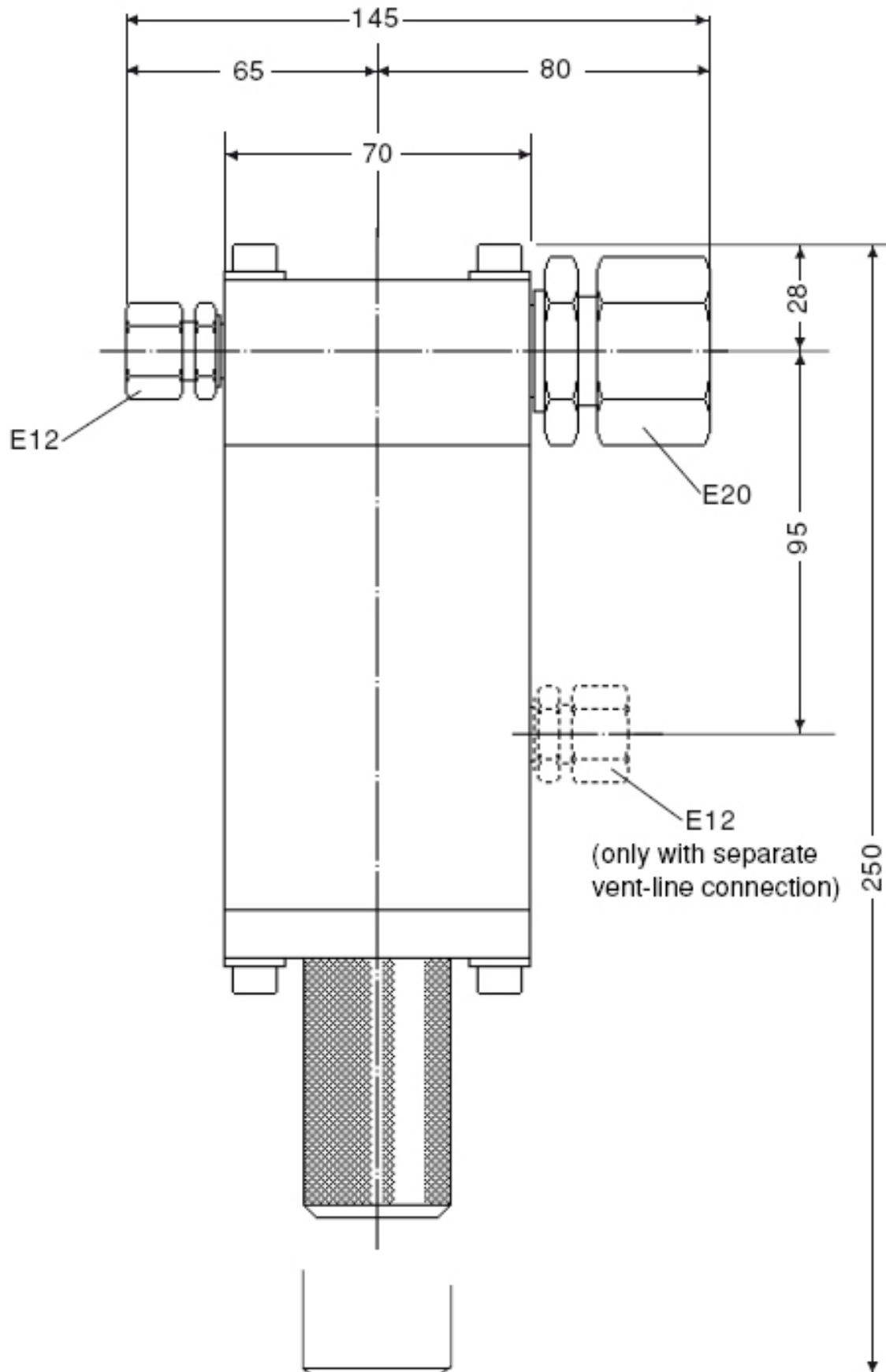
Design and operation

4



## Safety Relief Valve RMG 832

Dimensions and connections



## Safety Relief Valve RMG 832

---

6

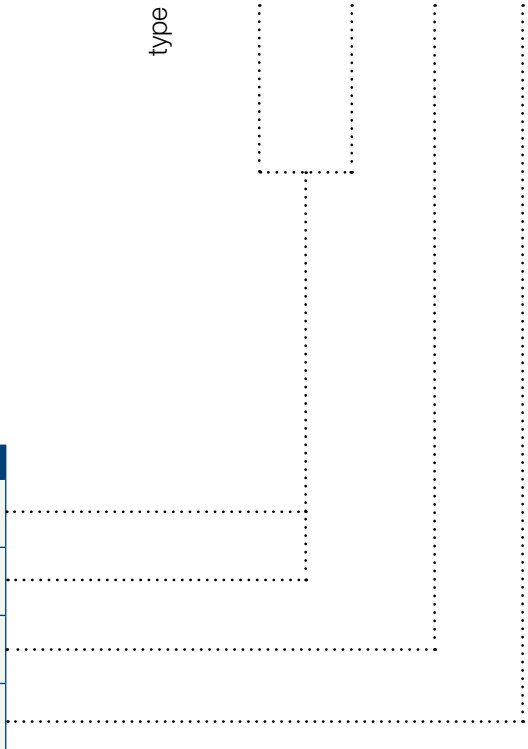
## Safety Relief Valve RMG 832

Type description

example:

RMG 832 - E12 / E20 - F1 - eA

type

TYPE DESCRIPTION	
inlet connection	
outlet connection	
setpoint spring	
external vent connection	