

# Safety Relief Valve RMG 850



## PRODUCT INFORMATION

**Serving the Gas Industry  
Worldwide**



ITT Controls

## Safety Relief Valve RMG 850

Application, characteristics, technical data

### Application

- for offtake stations in gas transmission systems, for gas supply to industrial and power plants
- suitable for full capacity relief
- for natural gas and all non-corrosive gaseous media

### Characteristics

- in-line flow
- can be installed in any position
- safe operation
- high response accuracy
- quick reaction
- can be provided with a noise reducing outlet duct module RMG 512 as an optional feature

TECHNICAL DATA			
max. service pressure $p_{max}$	100 bar		
adjusting ranges with measuring unit RMG 670	adjusting range $W_{ds}$ (bar)	max. permissible service pressure (bar)	closing pressure (bar)
	2,00 ... 5,00	40	0,5
	2,00 ... 10,0	40	0,6
	5,00 ... 20,0	40	1,0
	10,0 ... 40,0	50	1,5
	20,0 ... 90,0*	100	2,0
sizes/flow rate coefficients ( $K_G$ -value for natural gases, $\rho_n = 0,83 \text{ kg/m}^3$ )	DN 25 DN 50 DN 80 DN 100	$K_G$ -value 500 m <sup>3</sup> /h $K_G$ -value 2000 m <sup>3</sup> /h $K_G$ -value 5100 m <sup>3</sup> /h $K_G$ -value 8000 m <sup>3</sup> /h	
valve seat diameter	equals nominal width of inlet connection		
connections	flanged to DIN PN 25, PN 40 and to ANSI 300, ANSI 600		
materials	main valve body internal parts measuring unit diaphragm sealings	cast steel, steel steel, aluminium, brass aluminium alloy, steel rubber-like plastic material (NBR, FPM) rubber-like plastic material	
Temperature range	-15° C to +60° C		
function and strength	acc. to DIN 3381		
DIN-DVGW-registration No.	DN 25 DN 50 DN 80 DN 100	89.01e042 89.02e042 89.03e042 89.04e042	

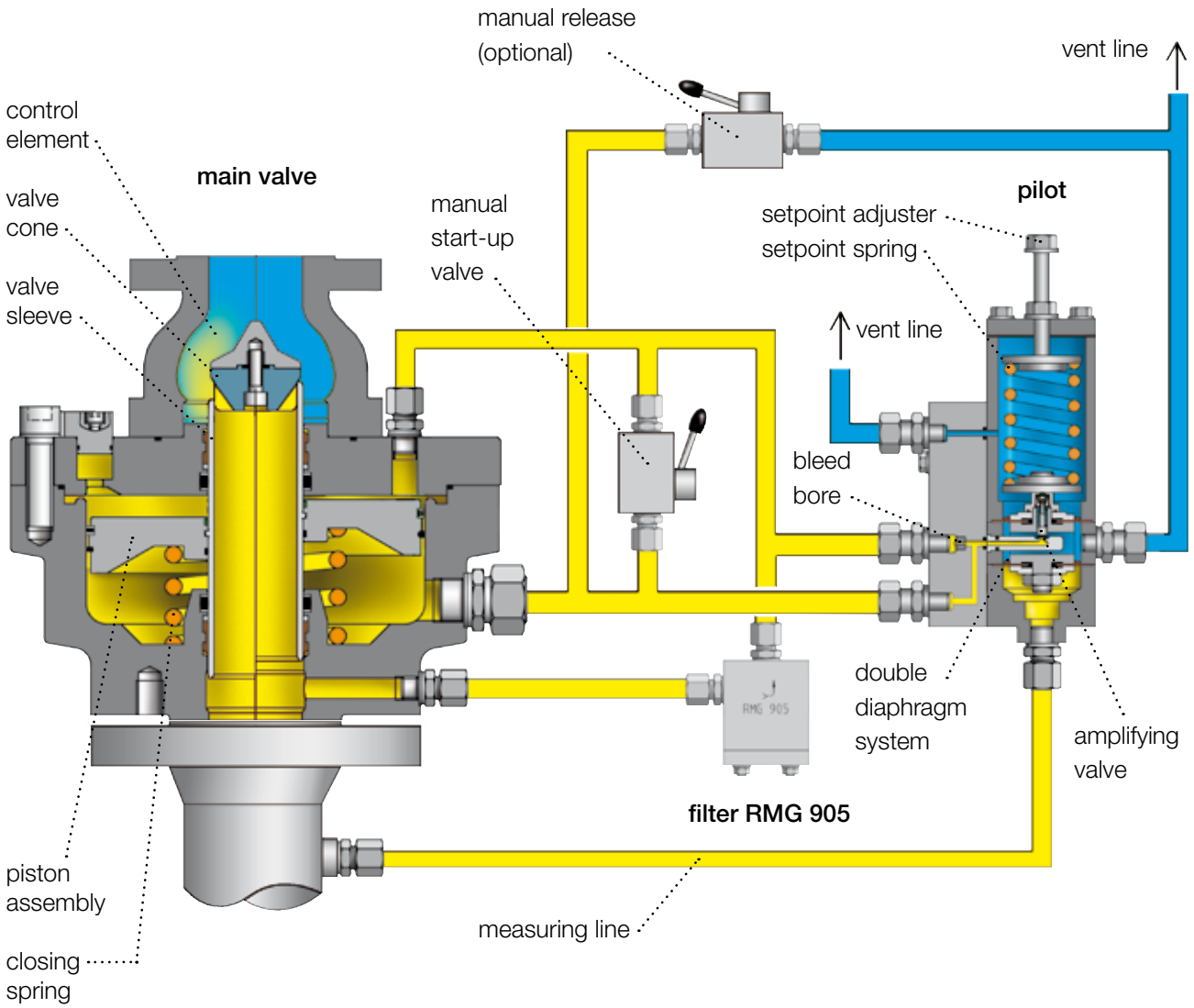
\*) with metal harmonica type measuring unit



# Safety Relief Valve RMG 850

Design and operation

4



outlet pressure  
 atmosphere

## Safety Relief Valve RMG 850

Dimensions and connections

Bild 1: Stellgerät RMG 850 ohne Kontrollgerät

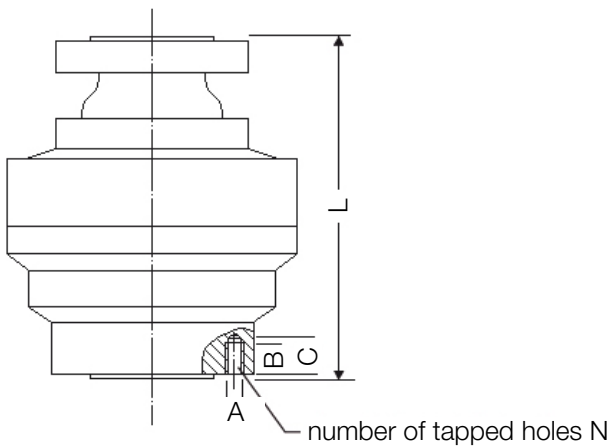
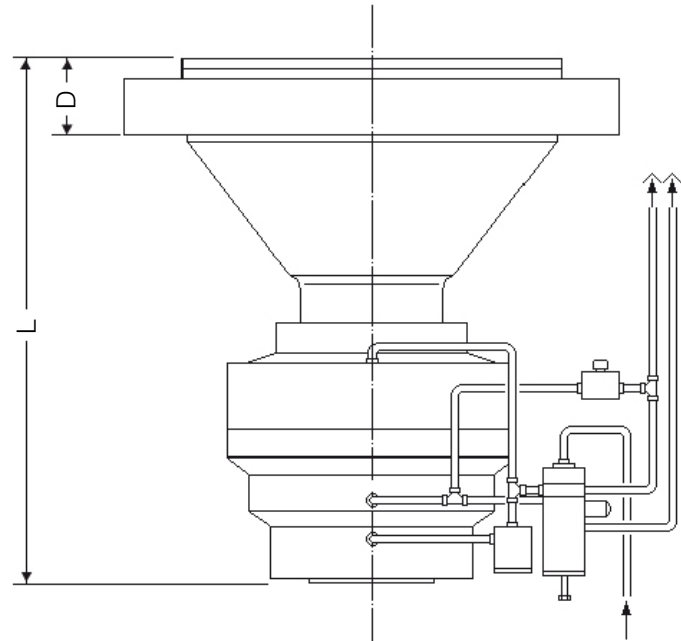


Bild 2: Stellgerät RMG 850 mit Kontrollgerät RMG 670 und schallreduzierendem Ausgangsteil



5

DIMENSIONS IN MM																												
DN		PN 25 + PN 40					ANSI 300RF					ANSI 300 RTJ					ANSI 600 RF					ANSI 600 RTJ						
inlet	outlet	L	A	B	C	N	L	A	B	C	N	L	A	B	C	N	L	A	B	C	N	L	A	B	C	N	D	
25	25	200					197					210					210					210						
	100*	360	M12	16	21	4	359	M16	20	25	4	365	M16	20	25	4	365	M16	20	25	4	365	M16	20	25	4	75	
	150*	360					359					365					365					365					84	
50	50	270					267					283					286					286						
	150*	422	M16	20	25	4	421	M16	20	25	8	429	M16	20	25	8	430	M16	20	25	8	430	M16	20	25	8	84	
	200*	422					421					429					430					430					92	
80	80	310	M16	20	25	8	318	M20	26	32	8	333	M20	26	32	8	337	M20	26	32	8	337	M20	26	32	8		
	250*	512					516					523					525					525					100	
100	100	370	M20	26	32	8	368	M20	26	32	8	384	M20	26	32	8	394	M24	31	38	8	394	M24	31	38	8		
	300*	548					548					555					560					560					103	

\*) with noise reducing outlet duct (outlet flanged to ANSI 600 RF only)

CONNECTIONS							
inlet size		measuring impulse line		discharge line		vent line	
DN	DN	pipe	thread	pipe	thread	pipe	thread
25							
50						min.	
80		10 x 1,5	M 14 x 1,5	12 x 1,5	M 14 x 1,5	12 x 1,5	M 14 x 1,5
100							

## Safety Relief Valve RMG 850

---

6

## Safety Relief Valve RMG 850

Type description

example:

RMG 512 - 50 / 200 - 670 - So

type  
 DN inlet  
 DN outlet  
 measuring unit  
 special feature

TYPE DESCRIPTION	
<b>size DN (main valve without noise reducing outlet duct)</b>	
inlet	outlet
25	25
50	50
80	80
100	100
<b>size DN (main valve with noise reducing outlet duct)</b>	
inlet	outlet
25	100
25	150
50	150
50	200
80	250
100	300
measuring unit RMG 670	
special feature (to be described in detail)	