

# AC-800 Diaphragm Meter



Compact, high-capacity positive displacement meter designed for commercial and industrial applications at pressures up to 25 psig and flow rates to 800 SCFH at 1/2" differential pressure

## Features

- Die-cast aluminum case
- High-performance ball bearing crank frame for excellent sustained accuracy
- Molded, convoluted diaphragms for smooth operation and long life
- Rigid, reinforced flag rods for positive alignment and sustained accuracy
- Graphite-filled phenolic valves to minimize wear
- Long-life, low friction, grommet seals
- Single-coat polyester primer with high solids polyurethane top coat
- Security seals that indicate tampering
- 8.25" center-to-center connections
- 25 psig (1724 mBar) Maximum Allowable Operating Pressure (MAOP)

## Advantages

- Temperature compensation available from -30°F to 140°F (-34°C to 60°C)
- 800 SCFH (22.7 m<sup>3</sup>/h) (0.60 specific gravity gas) at 1/2-inch W.C. differential
- AMI/AMR compatible
- Meets the performance criteria of ANSI B109.2

## Options

- Regular or Temperature Compensated
- Pointer or odometer index
- 2ft<sup>3</sup> or 0.05m<sup>3</sup> drive
- 20 LT, 30 LT, 45 LT and other connection sizes
- Pressure compensating indexes
- Standard or UV protected index covers
- Meter bars
- Connection sets
- Remote Volume Pulsers

## Applications

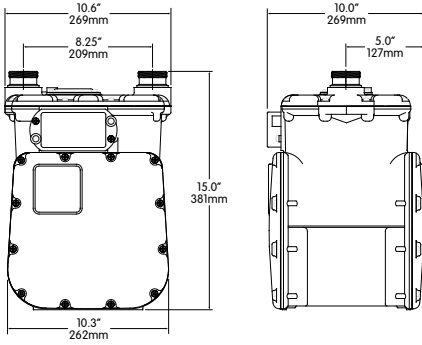
The AC-800 is ideally suited for commercial and industrial installations. It is unequalled for accuracy retention and for life cycle maintenance economies. The compact, lightweight design facilitates installation by a single technician, helping to reduce your costs and possibility of injury.



ITT Controls

## AC-800 Diaphragm Meter

Weight = 21 lbs.



### Capacities (0.60 specific gravity gas)

Line Pressure psig (mbar)	Differential Inches W.C. (mbar)	Capacity SCFH (m <sup>3</sup> /h)
0.25 (17)	0.5" (1.2)	800 <sup>1,2</sup> (22.7)
0.25 (17)	2" (5)	1700 (48.1)
1 (69)	2" (5)	1844 (52.2)
2 (138)	2" (5)	1905 (53.9)
5 (345)	2" (5)	2107 (59.7)
10 (680)	2" (5)	2405 (68.1)
15 (1035)	2" (5)	2658 (75.3)
20 (1380)	2" (5)	2903 (82.2)
25 (1724)	2" (5)	3120 (88.6)

1 - Propane - 397 cfh (11.2 m<sup>3</sup>/h)

2 - Butane - 347 cfh (9.8 m<sup>3</sup>/h)

### AC-800 Proof Curve

