

AL-800 Diaphragm Meter

RMG Meter's aluminum case meters are designed to provide positive displacement accuracy for industrial or commercial loads.



Features

- Die-cast aluminum case
- Oil-impregnated, self-lubricating bushings
- Molded, convoluted diaphragms for smooth operation and long life
- Rigid, reinforced flag rods for positive alignment and sustained accuracy
- Graphite-filled phenolic valves to minimize wear
- Long-life, low friction, grommet seals
- Single coat polyester primer with high solids polyurethane top coat
- Security seals that indicate tampering

Advantages

- AMR/AMI Compatibility
- Temperature Compensation available from -30°F to 140°F (-34°C to 60°C)
- Meets ANSI B109.2 specifications
- Measurement Canada accredited
- 800 SCFH (22.7m³/h) (0.60 specific gravity gas) at 1/2-inch W.C. differential

Applications

The AL-800 meter is ideally suited for commercial and industrial installations. It is unequalled for accuracy retention and for life cycle maintenance economies.

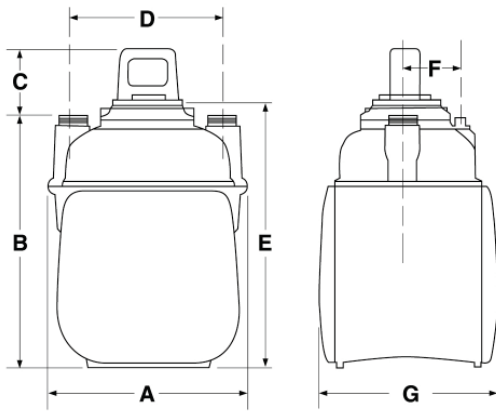
Options

- Regular or Temperature Compensated
- Pointer or odometer index
- 5ft³, 10ft³, or 0.1m³ drive
- 30LT, 45LT, 60LT, 100LT, 1-1 1/2" NPT and other connection sizes
- Pressure compensating indexes
- Standard or UV protected index covers
- Remote volume pulsers
- Connection sets
- 20 or 100PSIG (140 or 6895 mbar) Maximum Allowable Operating Pressure (MAOP)



ITT Controls

AL-800 Diaphragm Meter



Dimensions - Inches (mm)

MAOP (psig)	A	B	C	D	E	F	G	Weight (lbs.)	Connections
20	14.12 (359)	18.50 (470)	4.81 (122)	11.00 (279)	19.12 (486)	4.38 (111)	13.25 (337)	50	1-1/4"-30 LT 1-1/2"-45 LT #3-4 Sprague
20	14.12 (359)	19.19 (487)	4.19 (106)	11.00 (279)	19.12 (486)	4.38 (111)	13.25 (337)	50	1-1/2" NPT (F)
100	14.62 (372)	18.75 (476)	5.19 (132)	11.00 (279)	19.75 (502)	4.38 (111)	16.62 (422)	70	1-1/2" NPT (F)

Capacities (0.60 specific gravity gas)

Line Pressure PSIG (mbar)	Differential Inches W.C. (mbar)	SCFH (m ³ /h)
0.25 (17)	1/2 (1.2)	800 (22.7)
0.25 (17)	2 (5)	1700 (48.1)
5 (345)	2 (5)	2100 (59.5)
10 (690)	2 (5)	2600 (73.6)
15 (1035)	2 (5)	2800 (79.3)
20 (1379)	2 (5)	3200 (90.6)
25 ¹ (1724)	2 (5)	3500 (99.1)
30 ¹ (2069)	2 (5)	3800 (107.6)
50 ¹ (3447)	2 (5)	5100 (144.4)
75 ¹ (5171)	2 (5)	6500 (184.1)
100 ¹ (6895)	2 (5)	7800 (220.9)

1 - 100 psig model only