

AM-250 Diaphragm Meter



Special application, residential gas meter available in either 5 PSIG or 10 PSIG Maximum Allowable Operating Pressure with a badge rate of 250 cfh (.60 gravity gas) at 1/2-inch W.C. differential pressure.

Features

- Die-cast aluminum case with side connections
- Oil-impregnated, self-lubricating bushings
- Molded, convoluted diaphragms for smooth operation and long life
- Rigid, reinforced flag rods for positive alignment and sustained accuracy
- Graphite-filled phenolic valves to minimize wear
- Long-life, low friction, grommet seals
- Single coat polyester primer with high solids polyurethane top coat
- Security seals that indicate tampering

Advantages

- Temperature compensation available from -30°F to 140°F (-34°C to 60°C)
- 250 SCFH (7.1 m³/h) (0.60 specific gravity gas) at 1/2-inch W.C. differential
- AMR/AMI compatibility
- Meets ANSI B109.1 specification
- Measurement Canada accredited

Applications

The ideal meter for measuring gas to mobile home parks, for LP applications, or wherever US standard pipe thread connections are desirable. Properly installed, this meter will accurately measure gas loads ranging from one pilot light to its full recommended capacity.

Options

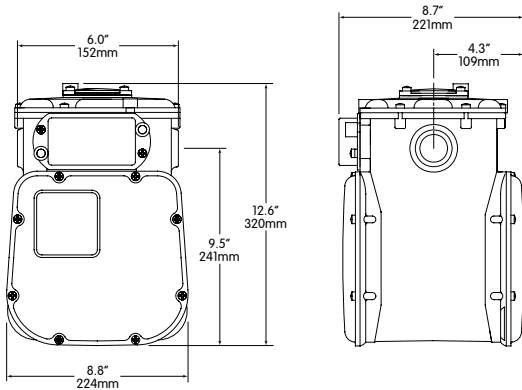
- Regular or Temperature Compensated
- Pointer or odometer index
- 1ft³, 2ft³, or 0.5m³ drive
- 3/4" or 1" NPT (F) side connections
- 5 or 10 PSIG (345 or 690 mbar) Maximum Allowable Operating Pressure (MAOP)
- Pressure compensating indexes
- Standard or UV protected index covers
- Remote Volume Pulsers



ITT Controls

AM-250 Diaphragm Meter

Weight = 12 lbs



Capacities (0.60 specific gravity gas)

Line Pressure PSIG (mbar)	Differential Inches W.C. (mbar)	SCFH (m ³ /h)
0.25 (17)	1/2 (1.2)	250 ^{1,2} (7.1)
1 (69)	2 (5)	528 (14.9)
2 (138)	2 (5)	550 (15.6)
5 (345)	2 (5)	593 (16.8)
10 (690)	2 (5)	671 (19.0)

1 - Propane - 158 SCFH (4.5 m³/h)

2 - Butane - 138 SCFH (3.9 m³/h)

AM-250 Proof Curve

