

PRESSURE CONTROL VALVE

ITEM	MBQ10AA035
QUANTITY	1
MANUFACTURER	ROMBACH
MODEL	RV-MD310-100-20
DESIGN TEMPERATURE	60° C
DESIGN PRESSURE	15 barg
INLET PRESSURE	10÷30 barg
OUTLET PRESSURE	3.5 barg
INLET CONNECTION	Ø 10
OUTLET CONNECTION	Ø 10
VENT CONNECTION	Ø 12

Project n°	Site name	Unit	Drawing n°
B4565	APPC 1	Ignition Gas Supply	05.144.00

REGULATOR RV-MD

Design:

The drawing shows the design of the regulator.

The comparing diaphragm (14) is built-in between the lower (1) and the upper part of the body (2). In the upper part of the body (2), in combination with the adjusting spindle (6), a set spring (15) is located. The cap (3) closes gastight the upper part of the body. A transmission element (12) with a transmission pin (13) and a control plug-in (4) are placed in the lower part of the body (1). The complete changeable control plug-in (4) is hold by the screw (25), carries an orifice (22), a lever (10) with orifice plate (10a), a spring (16) with an adjustable screw (17) and has at „A“ a connection thread of R 1/2“ for pi.

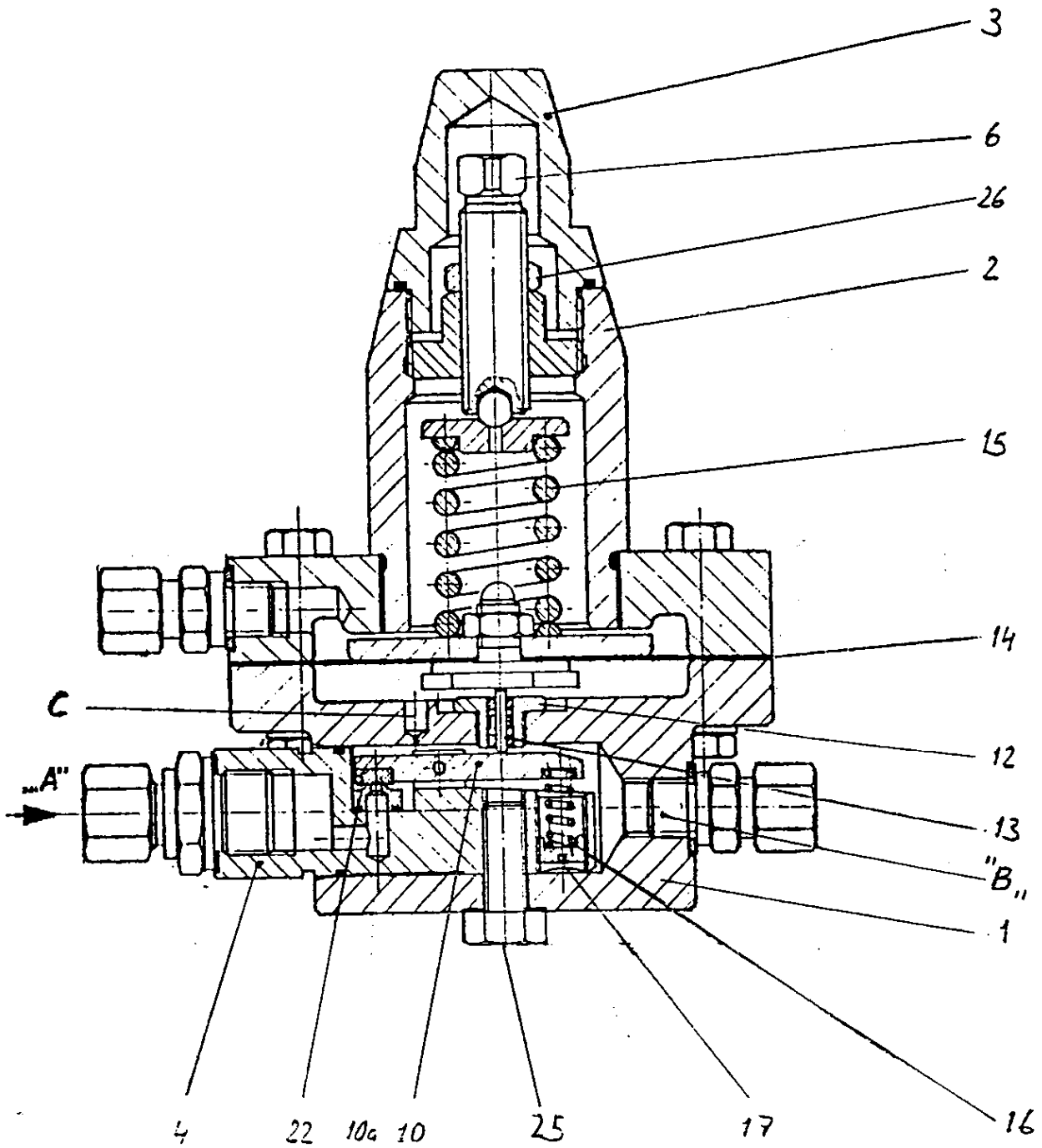
Function and adjustment

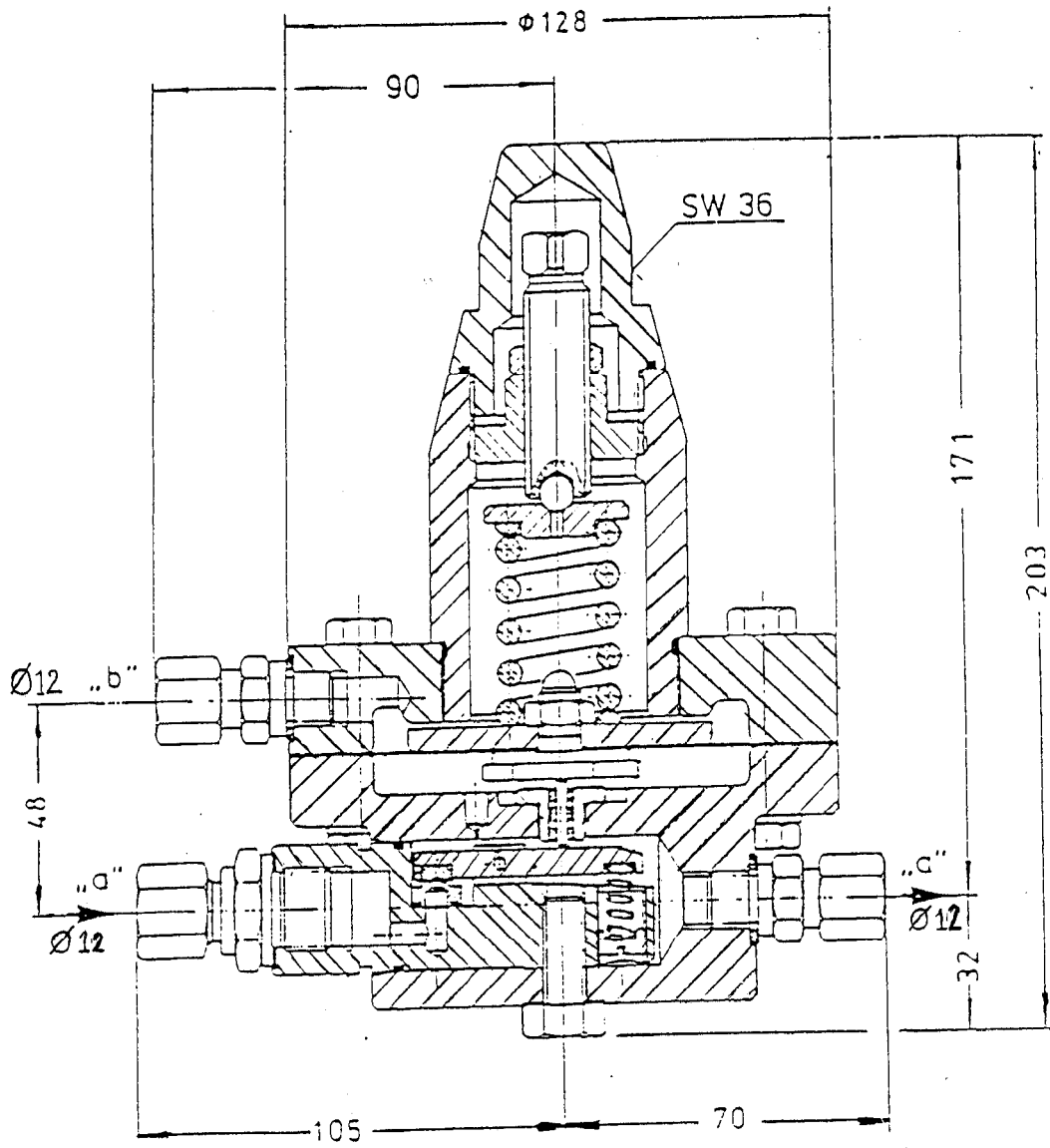
The filtered gas flows at („A“) into the orifice (22). Beneath the diaphragm and in room „B“ the gas is under outlet pressure p_o . The linkage of room „B“ to the bottom side of the diaphragm is made through bore „C“. In case p_o decreases, the power of the set spring predominates and the lever (10) opens the orifice. In case p_o increases, the power beneath the diaphragm premodinates and the spring (16) closes the orifice through the lever. By turning the setting screw (6) clockwise, the desired value p_o is increased. The plug-in can be removed as complete building block after slackening the screw (25) and can outside the regulator be put tight to a certain admission pressure. The gas pressure is supplied at „A“ and the screw (17) will be adjusted* so long as the orifice becomes tight.

***Caution:** Please make sure that the lever (10) can always be moved manually (opening the orifice).

To change the control plug-in, it is advantageous to release the set spring (15)

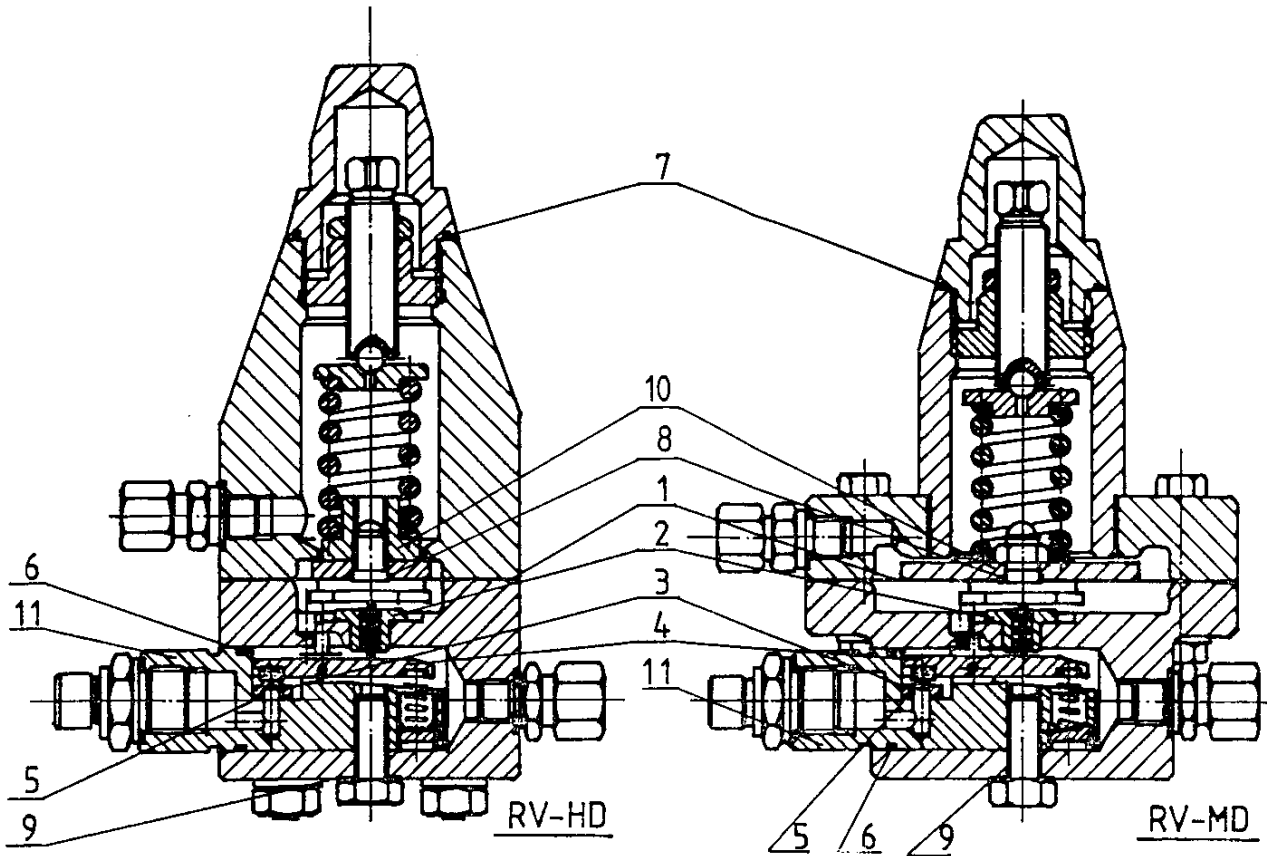
RV-MD





PN 40, ANSI 300 RV-MD 310-100-20

SPARE PART LIST



REGULATOR RV SERIES			
Pós.	COMPONENTS	RV-MD	RV-HD
*1	MEMBRANE	310-122-01	310-122-00
2	TM GUIDE BUSH	310-130-00	310-130-00
3	NOZZLE	310-142-00	310-142-00
*4	TM COMPENSATOR	310-150-00	310-150-00
5	O-RING (NOZZLE)	951-800-03	951-800-03
*6	O-RING (COUPLING GROUP)	951-800-07	951-800-07
*7	O-RING (CAP)	951-801-72	951-801-72
*8	O-RING (MEMBRANE)	951-800-04	951-800-04
*9	SEAL RING	951-503-03	951-503-03
10	TM MEMBRANE	310-120-01	310-120-00
11	TM COUPLING GROUP	310-140-00	310-140-00
* SPARE PART ADVISED			